



For Use in CCO Written Examinations

LOAD CHART MANUAL

ARTICULATING CRANE OPERATOR

These charts have been adapted from the original manufacturer's charts for use in CCO Written Examinations.

This supplement is not to be used for any other purpose.

Copyright 2004–2014 National Commission for the Certification of Crane Operators (NCCCO). All rights reserved. This document may not be reproduced in whole or in part without the express written permission of the manufacturer and the consent of NCCCO.

HOLD HARMLESS/RELEASE AGREEMENT

The user of this publication for and in consideration of the assistance, cooperation, and information provided by the National Commission for the Certification of Crane Operators (NCCCO) in this publication, *Articulating Crane Load Chart Manual*, the receipt of which is acknowledged, does hereby and for all future time release and hold harmless from any liability, and forever discharge for itself, its administrators and assigns the said NCCCO from all and any manner of action or demands whatsoever in law, in admiralty, or in equity, which against NCCCO anyone ever had, now have, or which shall later be claimed. This Agreement relates specifically to any cause of action arising out of the publication, information provided, subsequent conduct, and any use of the information provided in this publication and related uses or demonstrations of skills, methods, and techniques cited in the publication. This mutually beneficial release and hold-harmless agreement may not be changed orally and exists in perpetuity. This publication is issued solely as a public service to improve the lifting industry and promote public safety.

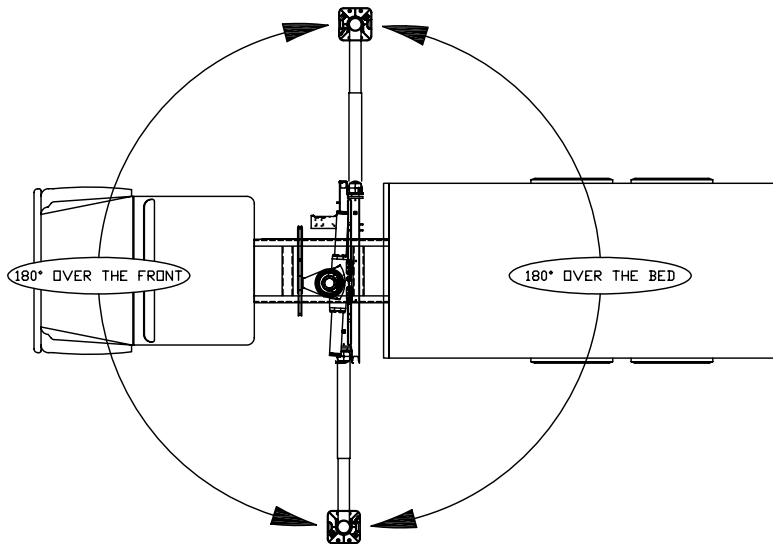
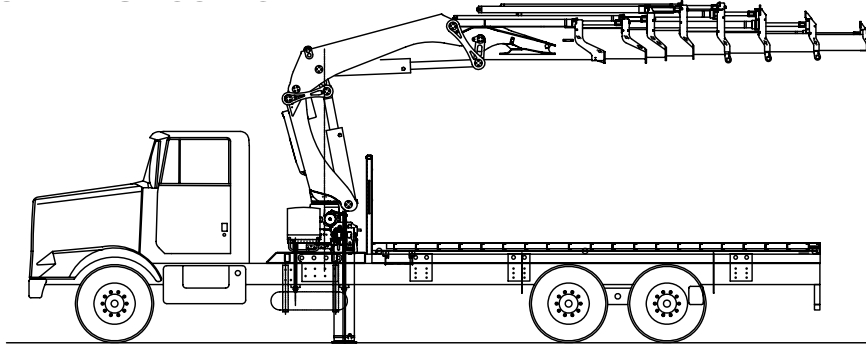
NO WARRANTY

Information and materials provided in this *Articulating Crane Load Chart Manual* are provided “as is” without warranty of any kind, either express or implied, including without limitation warranties of merchantability, fitness for a particular purpose, and non-infringement. NCCCO specifically does not make any warranties or representations as to the accuracy or completeness of any such information and materials. Under no circumstances shall NCCCO be liable for any loss, damage, liability, or expense incurred or suffered which is claimed to have resulted from use of this publication, including without limitation, any fault, error, omission, interruption, or delay with respect thereto. Use of this publication is at user’s sole risk. Under no circumstances, including, but not limited to, negligence, shall NCCCO be liable for any direct, indirect, incidental, special, or consequential damages, even if NCCCO has been advised of the possibility of such damages.









Copyright 2010–2014 by the National Commission for the Certification of Crane Operators. All rights reserved. No part of this book may be reproduced or transmitted in any form or by any means, electronic or mechanical, including photocopying, recording, or by any information storage and retrieval system, without prior written permission from the publisher. For information, contact the publisher, the National Commission for the Certification of Crane Operators, at info@nccco.org.

Crane A









ARTICULATING BOOM CRANE



180° OVER THE BED

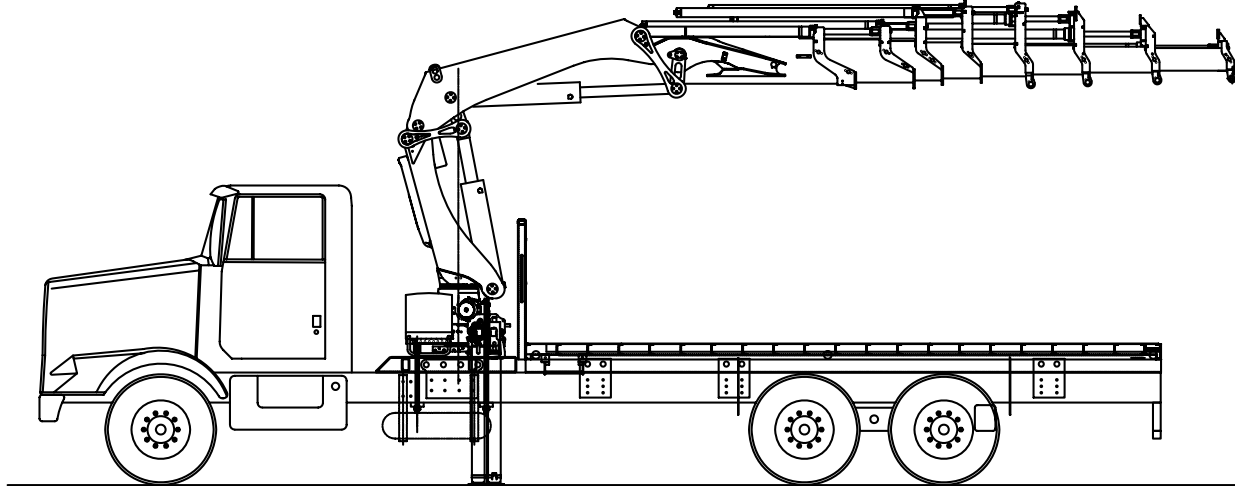
								ft
15'1"	20'4"	26'3"	32'6"	39'1"	45'11"	53'2"	60'8"	
13600	9500	6800	5200	4100	3300	2800	2400	lbs

180° OVER THE FRONT

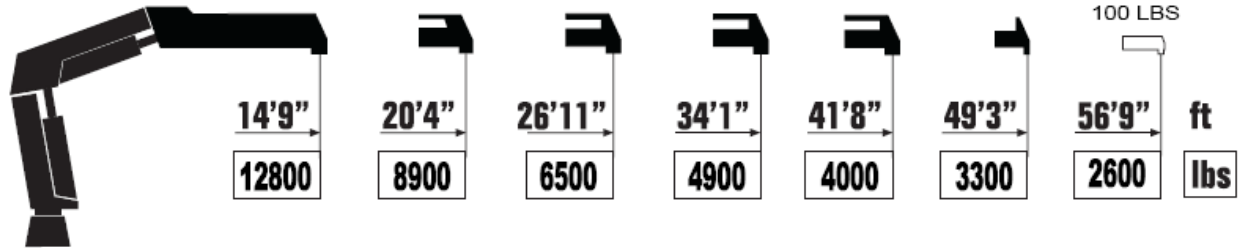
								ft
15'1"	20'4"	26'3"	32'6"	39'1"	45'11"	53'2"	60'8"	
5500	3800	2700	2100	1600	1300	1100	900	lbs

Crane B

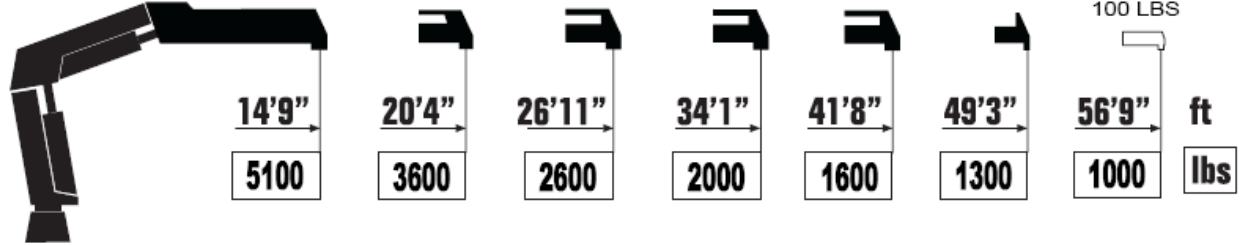
ARTICULATING BOOM CRANE



STABILIZERS - FULLY EXTENDED

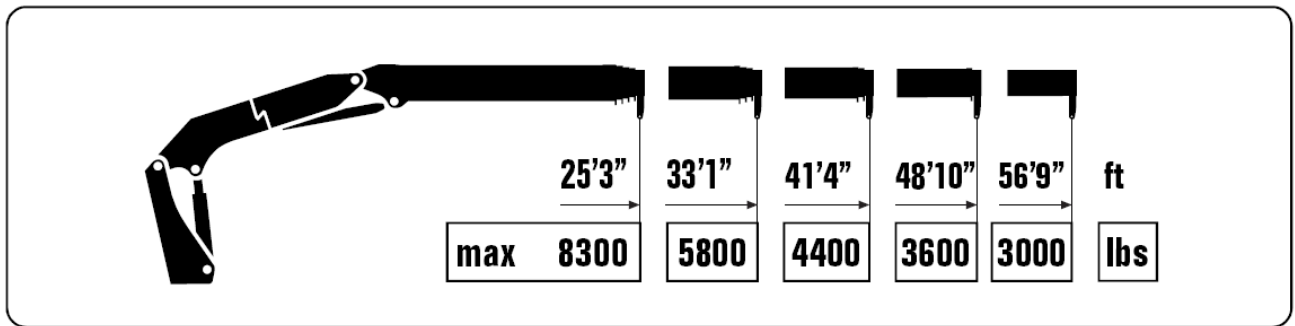
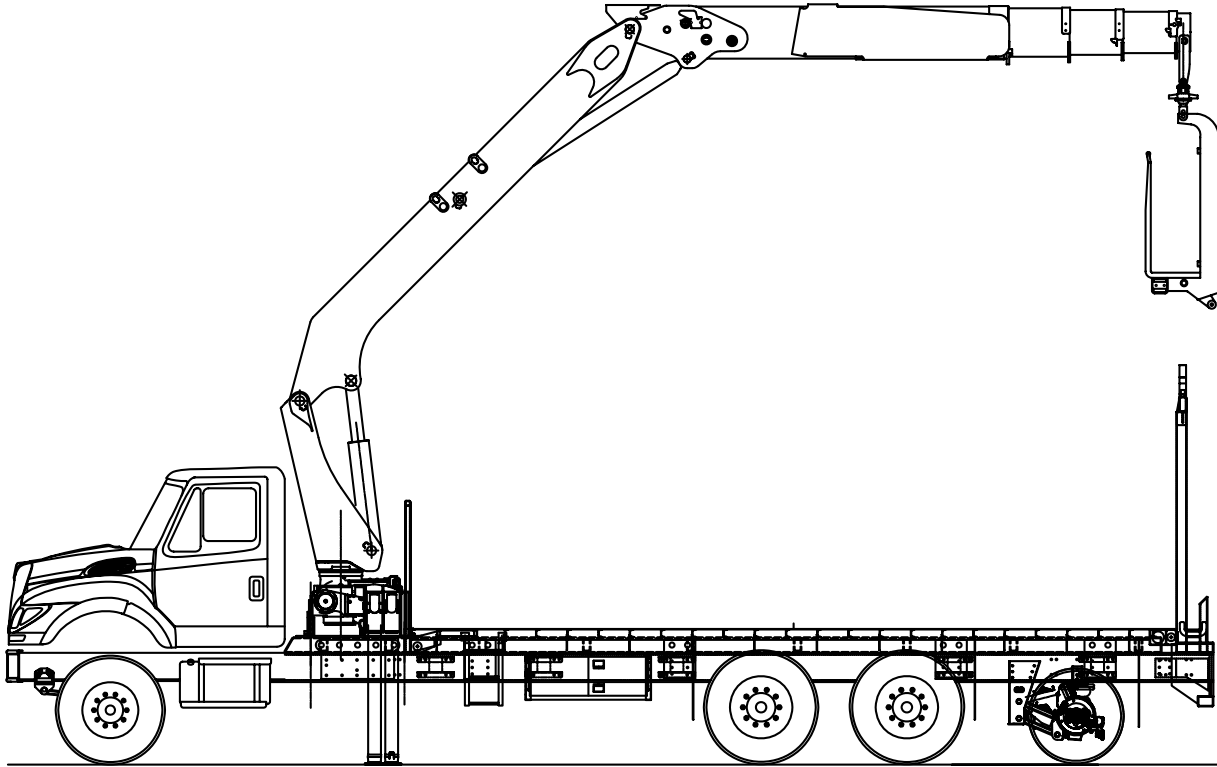


STABILIZERS - MID SPAN



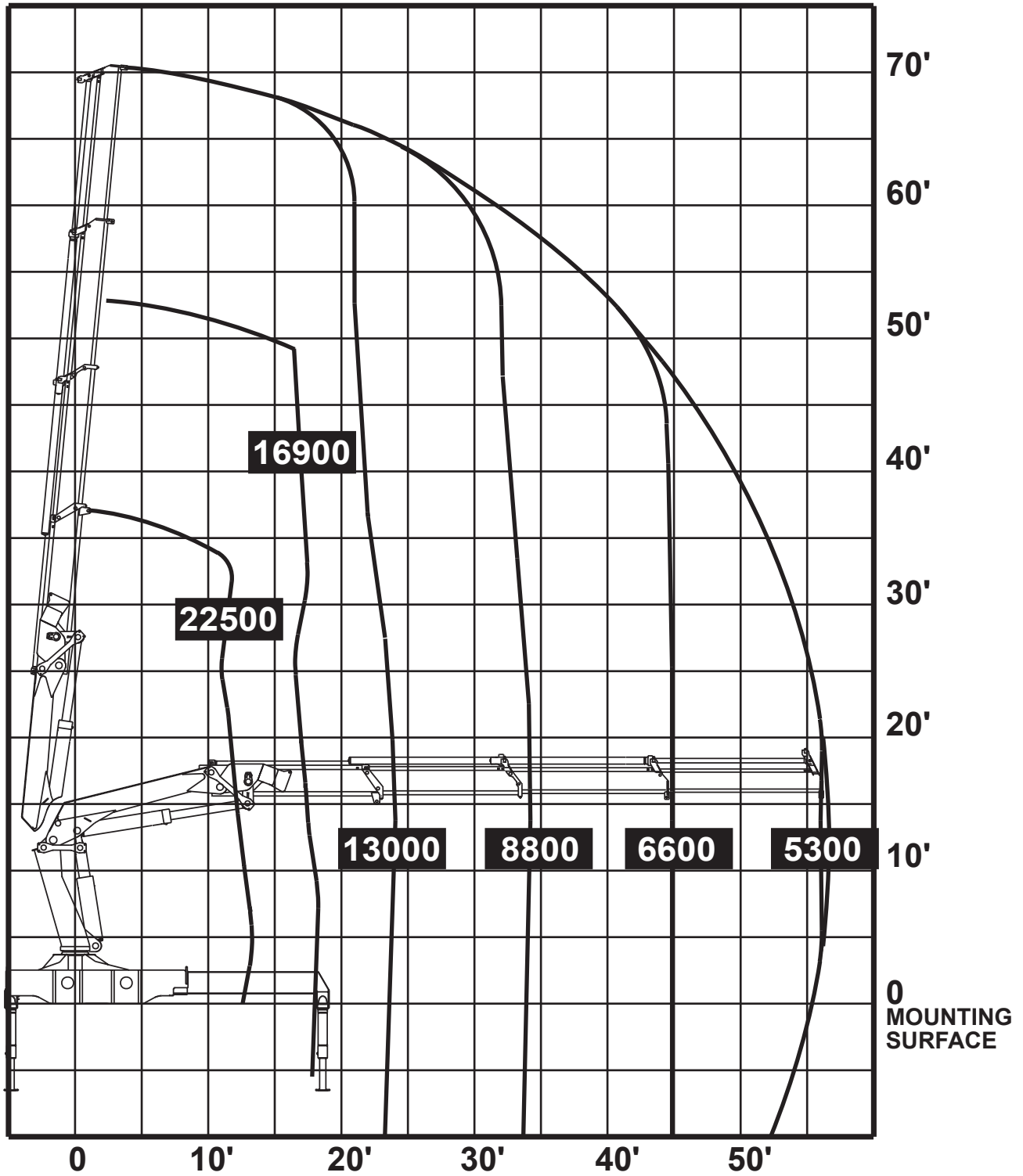
Crane C

ARTICULATING BOOM LOADER



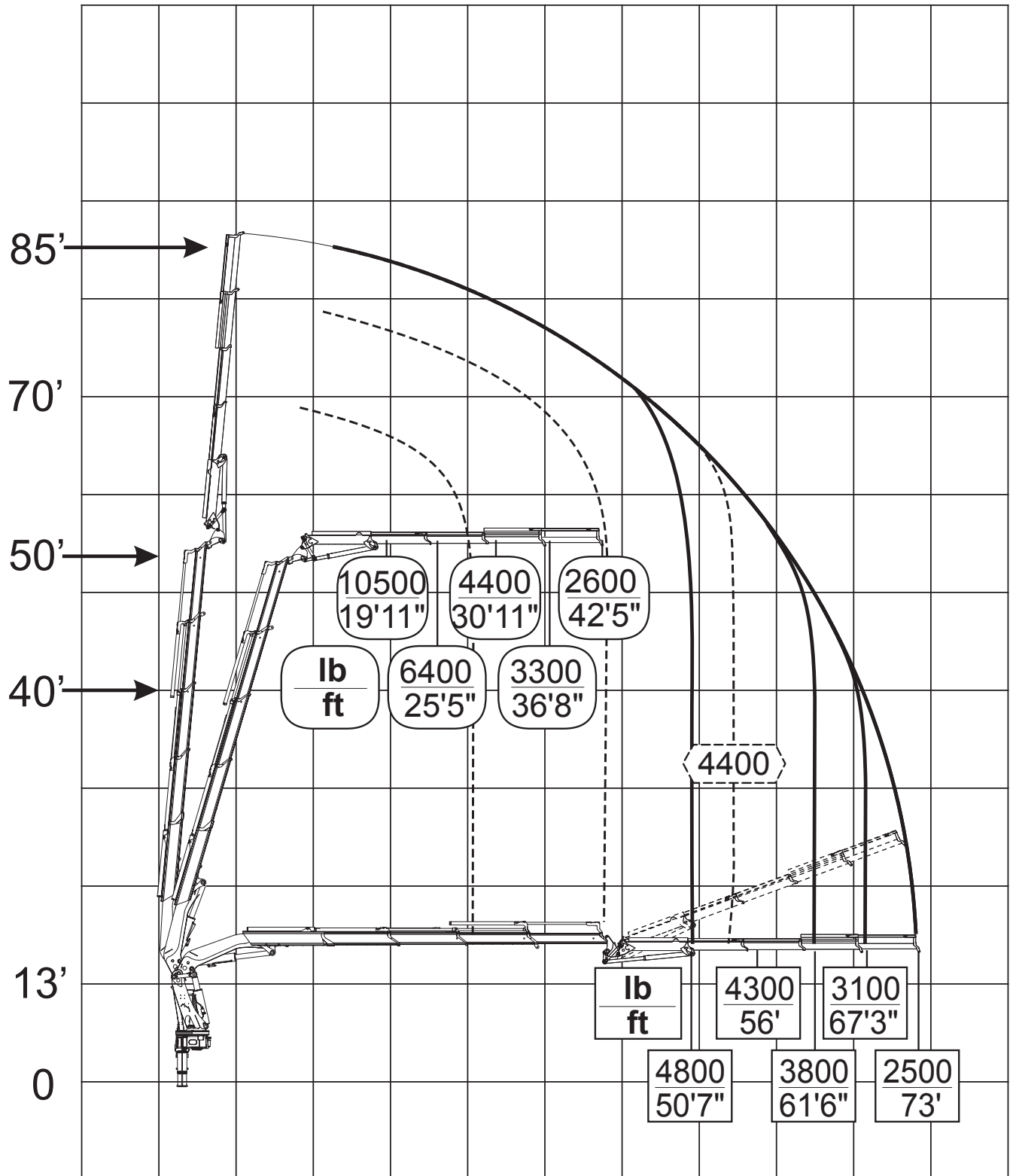
Crane D

ARTICULATING BOOM CRANE



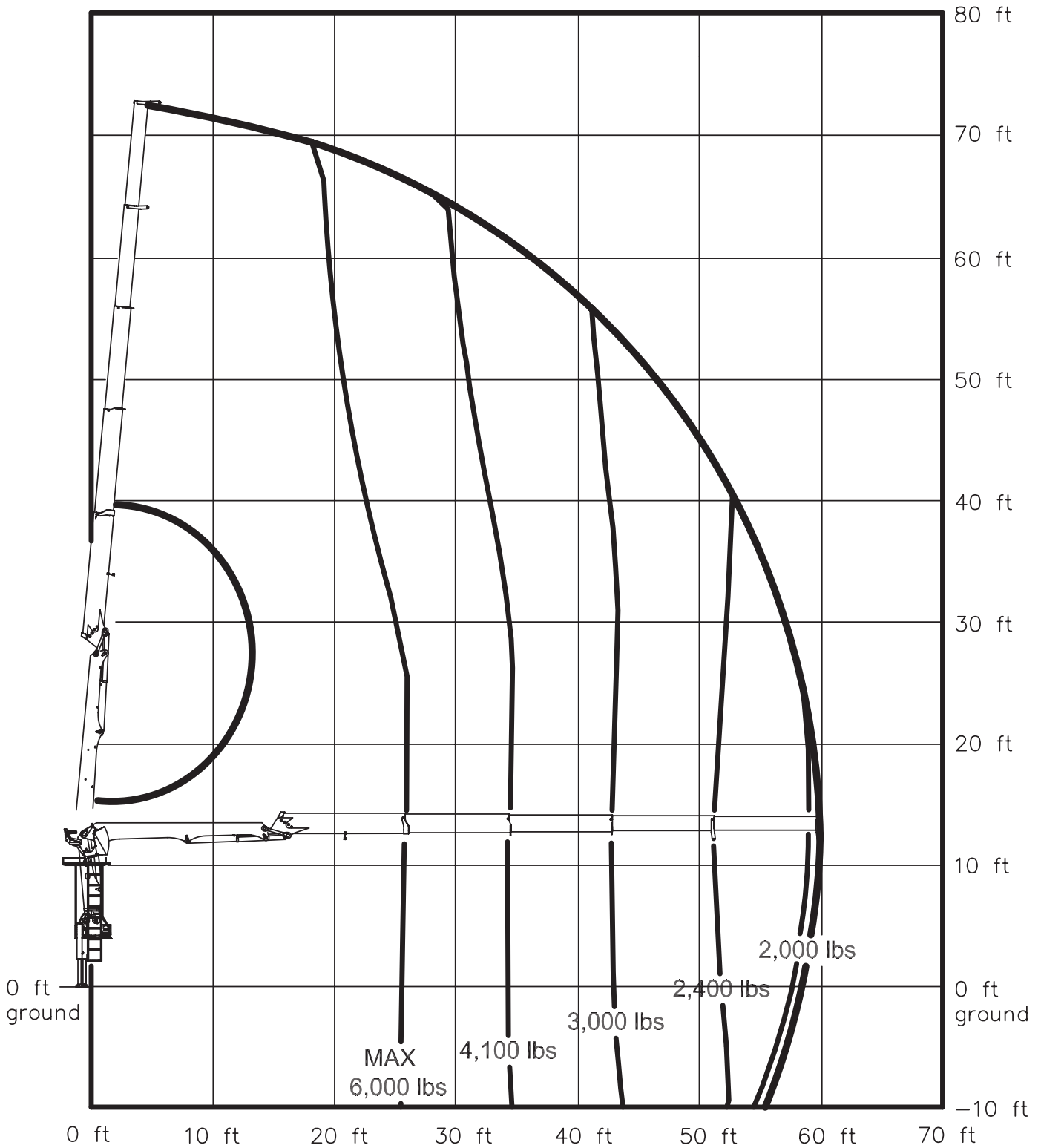
Crane E

ARTICULATING BOOM CRANE



Crane F

ARTICULATING BOOM LOADER



Crane G

ARTICULATING BOOM LOADER

